

NOTES

FILE NAME: 200428-S1_FD29_8 FW_2- 52 x30 in WC

CONTACT TURTLE TOP AT 800-269-2105 FOR AVAILABILITY OF THIS FLOOR LAYOUT IF DRAWING DATE HAS EXCEEDED 90 DAYS.

DATE: 5/15/2020

DS- 11.5 / 31 / 2 / 2-3-4 / 11.5 / 4
 PS- 5.25 / 48.5 / 16.5 / 31 / 2 / 31 / 6 / 16.75

3 STEP ENTRY

TERRA TRANSIT

2 STEP ENTRY W/ WHEEL WELLS

DRAFTSMAN NOTES:

"THIS DRAWING AND THE INFORMATION CONTAINED THEREON ARE THE EXCLUSIVE PROPERTY OF TURTLE TOP AND SHALL NOT BE COPIED OR DUPLICATED IN ANY MANNER WITHOUT OUR WRITTEN CONSENT"



TURTLE TOP
"To furnish the customer the best mid-sized bus in the industry in both quality of material and workmanship."



TURTLE TOP BODY MODEL: **TERRA TRANSIT LD**

OVER ALL LENGTH: **260.125" (21' 8.125")**

CHASSIS MAKE: **FORD TRANSIT**

ORDER NUMBER: **ORDER**

DRAFTSMAN: **SLS**

REVISION: **ORG**

SCALE: **DNS**

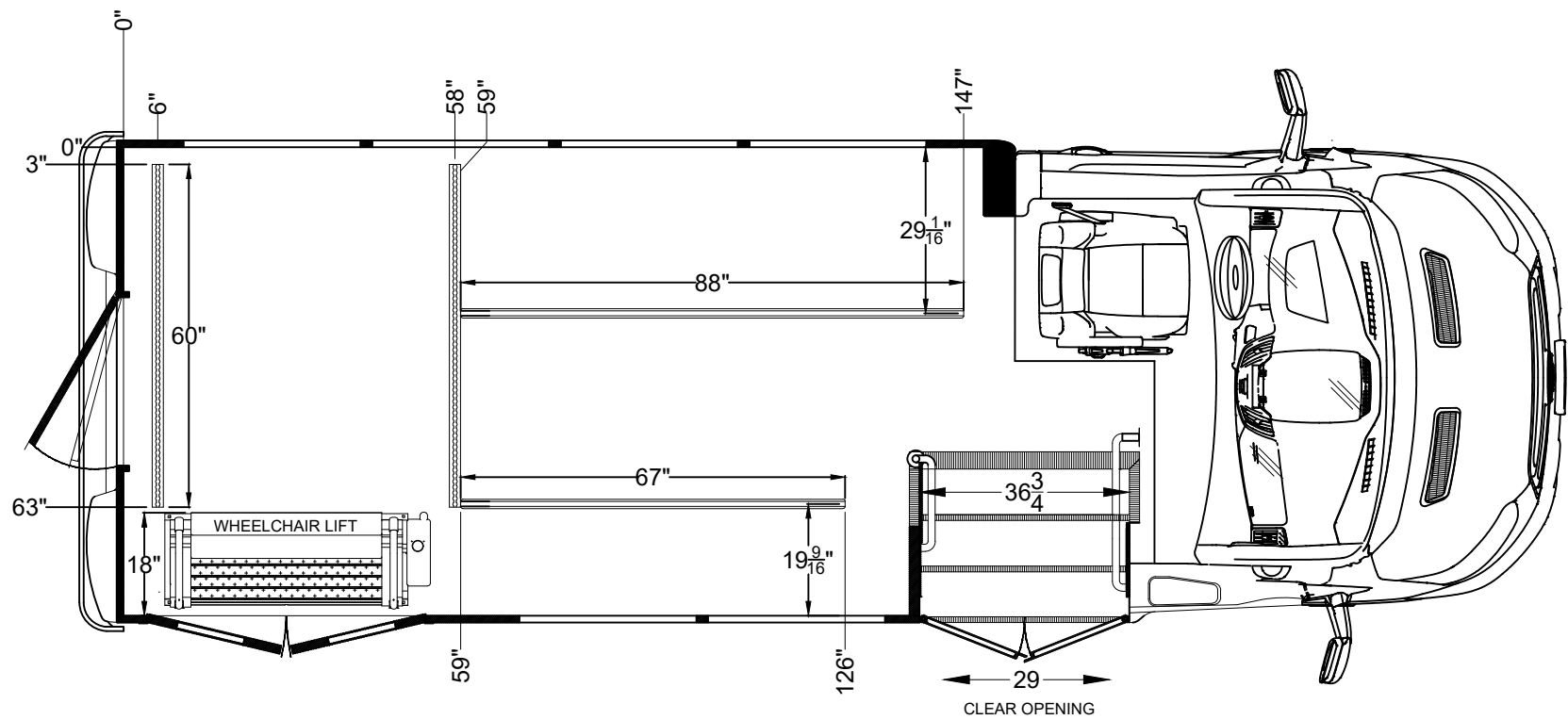
DIMENSIONING TOLERANCE = +/- .3"

FLOOR LENGTH: **156"**

CHASSIS FUEL TYPE: **GAS**

CHASSIS GVWR: **11,000 lbs**

DRAWING NUMBER: **501601**



NOTES

FILE NAME: 200428-S1_FD29_8 FW_2- 52 x30 in WC

CONTACT TURTLE TOP AT 800-269-2105 FOR AVAILABILITY OF THIS FLOOR LAYOUT IF DRAWING DATE HAS EXCEEDED 90 DAYS.

DATE: 5/15/2020

3 STEP ENTRY

TERRA TRANSIT

2 STEP ENTRY W/ WHEEL WELLS

"THIS DRAWING AND THE INFORMATION CONTAINED THEREON ARE THE EXCLUSIVE PROPERTY OF TURTLE TOP AND SHALL NOT BE COPIED OR DUPLICATED IN ANY MANNER WITHOUT OUR WRITTEN CONSENT"

DRAFTSMAN NOTES:



TURTLE TOP
"To furnish the customer the best mid-sized bus in the industry in both quality of material and workmanship."



TURTLE TOP BODY MODEL: TERRA TRANSIT LD		OVER ALL LENGTH: 260.125" (21' 8.125")	CHASSIS MAKE: FORD TRANSIT	ORDER NUMBER: ORDER
DRAFTSMAN: SLS	REVISION: ORG	SCALE: DNS	FLOOR LENGTH: 156"	DRAWING NUMBER: 501601
DIMENSIONING TOLERANCE = +/- .3"		CHASSIS FUEL TYPE: GAS	CHASSIS GVWR: 11,000 lbs	