

**NOTES**

FILE NAME: 200506-D1\_FD29\_RLD\_8 FW SEATS\_1 WC (501602)

CONTACT TURTLE TOP AT 800-269-2105 FOR AVAILABILITY OF THIS FLOOR LAYOUT IF DRAWING DATE HAS EXCEEDED 90 DAYS.

DATE: 5/15/2020

DS- 11.5 / 31 / 2 / 2-3-4 / 11.5 / 4  
 PS- 5.25 / 48.5 / 16.5 / 31 / 2 / 31 / 6 / 16.75

3 STEP ENTRY

**TERRA TRANSIT**

2 STEP ENTRY  
 W/ WHEEL WELLS

"THIS DRAWING AND THE INFORMATION CONTAINED THEREON ARE THE EXCLUSIVE PROPERTY OF TURTLE TOP AND SHALL NOT BE COPIED OR DUPLICATED IN ANY MANNER WITHOUT OUR WRITTEN CONSENT"

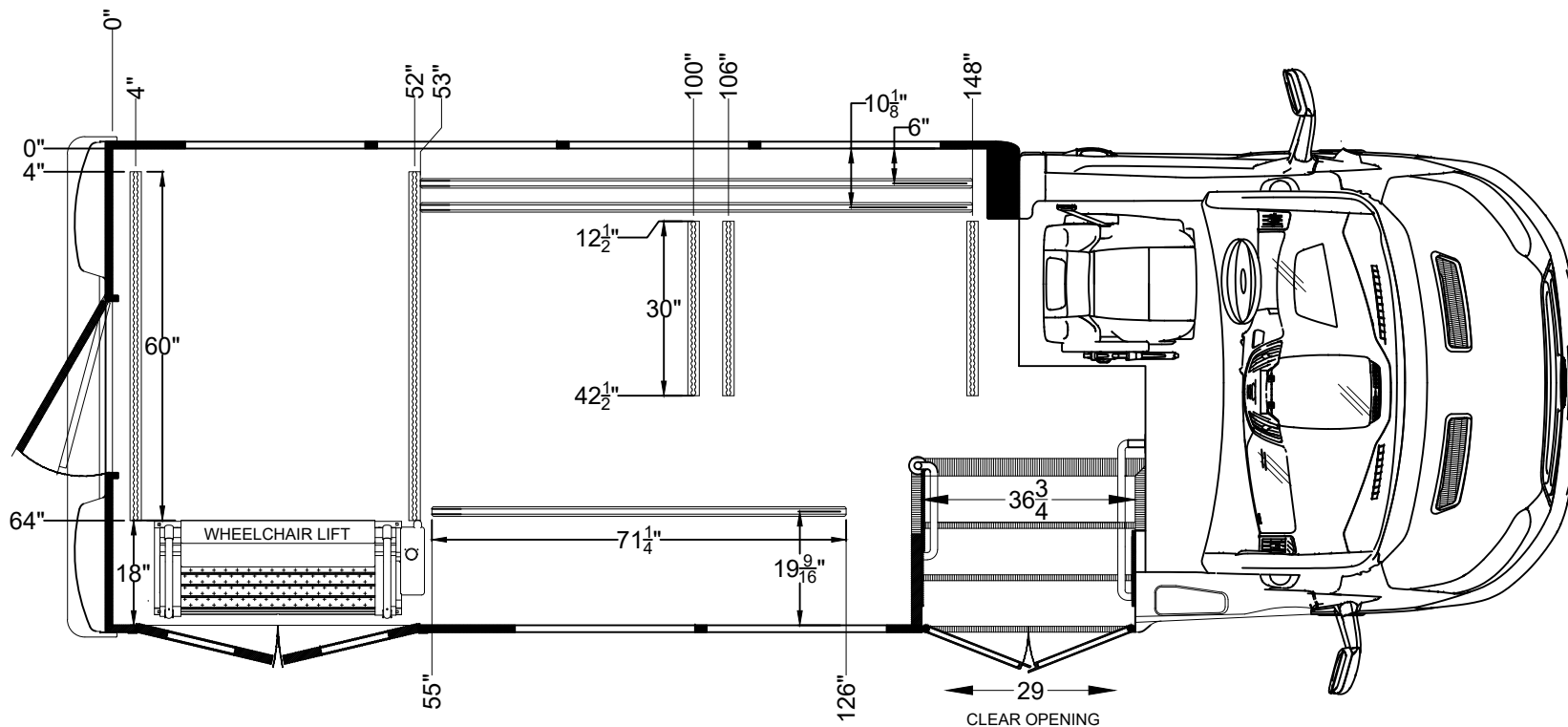
DRAFTSMAN NOTES:  
 REV A- ADD EXTRA TRACK FOR 54" WC OPTION / SLS-6.18.20



**TURTLETOP**  
*"To furnish the customer the best mid-sized bus in the industry in both quality of material and workmanship."*



DRAFTSMAN: SLS		REVISION: A.		SCALE: DNS		DIMENSIONING TOLERANCE = +/- .3"		FLOOR LENGTH: 156"		CHASSIS FUEL TYPE: 3.5L GAS		CHASSIS GVWR: 11,000 lbs		DRAWING NUMBER: 501603	
TURTLE TOP BODY MODEL: TERRA TRANSIT LD				OVER ALL LENGTH: 280.125" ( 21' 8.125")				CHASSIS MAKE: FORD TRANSIT				ORDER NUMBER: ORDER			



**NOTES**

FILE NAME: 200506-D1\_FD29\_RLD\_8 FW SEATS\_1 WC

CONTACT TURTLE TOP AT 800-269-2105 FOR AVAILABILITY OF THIS FLOOR LAYOUT IF DRAWING DATE HAS EXCEEDED 90 DAYS.

DATE: 5/15/2020

3 STEP ENTRY      **TERRA TRANSIT**       2 STEP ENTRY W/ WHEEL WELLS

"THIS DRAWING AND THE INFORMATION CONTAINED THEREON ARE THE EXCLUSIVE PROPERTY OF TURTLE TOP AND SHALL NOT BE COPIED OR DUPLICATED IN ANY MANNER WITHOUT OUR WRITTEN CONSENT"

DRAFTSMAN NOTES:  
 REV A- ADD EXTRA TRACK FOR 54" WC OPTION / SLS-6.18.20

**TURTLE TOP**  
*"To furnish the customer the best mid-sized bus in the industry in both quality of material and workmanship."*



DRAFTSMAN: SLS		REVISION: A.	SCALE: DNS	TURTLE TOP BODY MODEL: TERRA TRANSIT LD		OVER ALL LENGTH: 280.125" ( 21' 8.125")	CHASSIS MAKE: FORD TRANSIT	ORDER NUMBER: ORDER
DIMENSIONING TOLERANCE = +/- .3"				FLOOR LENGTH: 156"	CHASSIS FUEL TYPE: 3.5L GAS	CHASSIS GVWR: 11,000 lbs	DRAWING NUMBER: 501603	